



# neo Zoom

A great all-round spotlight  
with long-range optical zoom

Adjustable 7–50°

Perfect color rendering and consistency

Frosted Zoom Lens

**Neo Zoom** is a powerful zoom lens spotlight developed for use in museums and art galleries.

It features attachable barn doors and built-in filter holder, as well as a stepless adjustable beam angle (7–50°) using the zoom sledge on the side of the luminaire. The frosted zoom lens creates a nice diffused light, perfect for most situations. The rotatable barn doors provide good control of the light.

Each individual fixture is capable of handling all changable variables of the light: direction, shape, sharpness, color, and intensity.

**Neo Zoom is available for the following lighting systems:**

Analog

**Analog**  
(3-phase tracks, 220-240V AC)

- \* Fixture has built-in 0-100% dimmer
- \* No external dimming possible

CASAMBI

**Casambi**  
(3-phase tracks, 220-240V AC)

- \* Dimming via Casambi app or associated products

DMX

**DMX via Lumenradio**  
(3-phase tracks, 220-240V AC)

- \* Dimming via Lumenradio CRMX
- \* Fixture has built-in 0-100% dimmer

DALI

**DALI**  
(Global Trac Pulse, 220-240V AC)

- \* Dimming via DALI 1-100%





Filter holder

Zoom sledge

Frosted lens

Barn doors

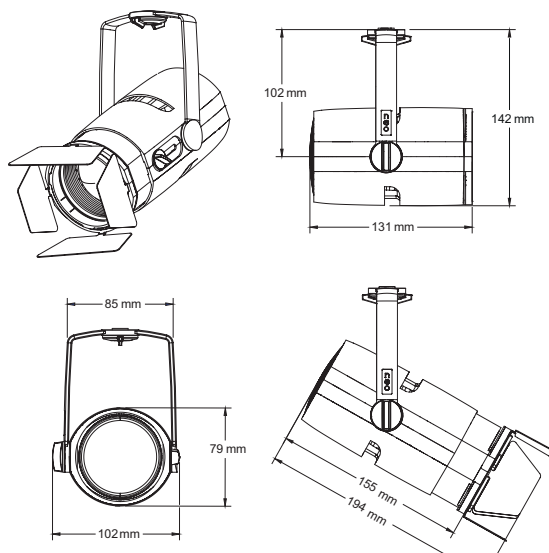
## TECHNICAL SPECIFICATION

Material	Lamp housing made of die-cast aluminum, Adapter housing made of PC 10 GF, Zoom-lens made of glass
Finish	Grey (RAL 7040) Black (RAL 9005) White (RAL 9016)
System	3-phase circuit track
Protection class	IP20
Operating voltage	230V~ 50/60Hz
Power consumption	24–26W
Rated life	L70 > 55 000h according to TM-21 projection (Ta 25°)
LED failure rate	0,1% 50 000h
Beam angle	Adjustable 7–50°
Color temperatures	2700K, 3000K, 4000K
Swivels	>365°
Tilts	>90°
Features	Barn doors, Filter holder, Phase selector, Toolless pan, Tilt lock

## LIGHT DATA

LED Lumen	1910 lm
Luminaire Lumen	1389 lm
CRI	95 (Typical 98 CRI)
Red component R9	>80
MacAdam	2-step ellipse (SDCM 2)

\* Data from 3000K, widest beam angle



SPOTLIGHTS  
NEO ZOOM



**NEO ZOOM ANALOG**

Built-in local dimmer (0-100%)

2700K	NEOZ27C-AL-*	Neo Zoom 230V/24W 2700K	1800lm, CRI 98, SDCM2, 7-50°, 3-phase, dimmer
3000K	NEOZ30C-AL-*	Neo Zoom 230V/24W 3000K	1910lm, CRI 98, SDCM2, 7-50°, 3-phase, dimmer
4000K	NEOZ40C-AL-*	Neo Zoom 230V/24W 4000K	1990lm, CRI 98, SDCM2, 7-50°, 3-phase, dimmer
2700K	NEOZ27C-AH-*	Neo Zoom 230V/26W 2700K	1800lm, CRI 98, SDCM2, 7-50°, 3-phase, dimmer
3000K	NEOZ30C-AH-*	Neo Zoom 230V/26W 3000K	1910lm, CRI 98, SDCM2, 7-50°, 3-phase, dimmer
4000K	NEOZ40C-AH-*	Neo Zoom 230V/26W 4000K	1990lm, CRI 98, SDCM2, 7-50°, 3-phase, dimmer

\* 1: Grey  2: Black  3: White



**NEO ZOOM CASAMBI**

Fixture is configured using the Casambi app  
Fits most known 3-phase tracks

**CASAMBI**

2700K	NEOZ27C-AHC-*	Neo Zoom 230V/24W Casambi 2700K	1800lm, CRI 98, SDCM2, 7-50°, 3-phase
3000K	NEOZ30C-AHC-*	Neo Zoom 230V/24W Casambi 3000K	1910lm, CRI 98, SDCM2, 7-50°, 3-phase
4000K	NEOZ40C-AHC-*	Neo Zoom 230V/24W Casambi 4000K	1990lm, CRI 98, SDCM2, 7-50°, 3-phase

\* 1: Grey  2: Black  3: White



**NEO ZOOM DMX**

Wireless DMX via Lumenradio CRMX  
Configuration via built-in display  
Fits most known 3-phase tracks  
Local dimmer (0-100%)

**lumenradio**  
Creating Connectivity for a Better Tomorrow

2700K	NEOZ27C-AHX-*	Neo Zoom 230V/26W DMX 2700K	1800lm, CRI 98, SDCM2, 7-50°, 3-phase, wireless DMX
3000K	NEOZ30C-AHX-*	Neo Zoom 230V/26W DMX 3000K	1910lm, CRI 98, SDCM2, 7-50°, 3-phase, wireless DMX
4000K	NEOZ40C-AHX-*	Neo Zoom 230V/26W DMX 4000K	1990lm, CRI 98, SDCM2, 7-50°, 3-phase, wireless DMX

\* 1: Grey  2: Black  3: White



**NEO ZOOM DALI**

DALI (Dimming 1-100%).  
Equipped with a DALI driver for Global Trac PULSE track

**DALI**

2700K	NEOZ27C-AHD-*	Neo Zoom 230V/24W DALI 2700K	1800lm, CRI 98, SDCM2, 7-50°, 3-phase, PULSE DALI
3000K	NEOZ30C-AHD-*	Neo Zoom 230V/24W DALI 3000K	1910lm, CRI 98, SDCM2, 7-50°, 3-phase, PULSE DALI
4000K	NEOZ40C-AHD-*	Neo Zoom 230V/24W DALI 4000K	1990lm, CRI 98, SDCM2, 7-50°, 3-phase, PULSE DALI

\* 1: Grey  2: Black  3: White





### NEO ZOOM CC SOLO

No driver / adapter included

Operated by external LED driver, max 600 mA / 22W, Vf = 36V

2700K	NEOZ27C-CCS-*	Neo Zoom CC/600mA Solo 2700K	1800lm, Vf=36V, 600mA, CRI 98, SDCM 2, 7–50°, 1m cable
3000K	NEOZ30C-CCS-*	Neo Zoom CC/600mA Solo 3000K	1910lm, Vf=36V, 600mA, CRI 98, SDCM 2, 7–50°, 1m cable
4000K	NEOZ40C-CCS-*	Neo Zoom CC/600mA Solo 4000K	1990lm, Vf=36V, 600mA, CRI 98, SDCM 2, 7–50°, 1m cable

\* 1: Grey  2: Black  3: White