

neo Accent

A powerful fixture with
interchangeable lenses



High light output

Perfect color rendering and consistency

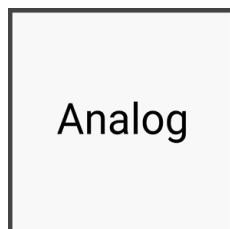
Interchangeable lenses

Neo Accent is a powerful spotlight developed for use in museums and art galleries.

It features an adjustable snoot for glare reduction. It has five different highly efficient lenses to choose from:

- 14° Real spot
- 17° Smooth spot
- 24° Medium
- 34° Wide
- 43° Very Wide

Neo Accent is available for the following lighting systems:



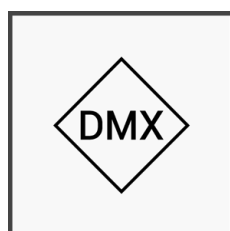
Analog
(3-phase tracks, 220-240V AC)

- * Fixture has built-in 0-100% dimmer
- * No external dimming possible



Casambi
(3-phase tracks, 220-240V AC)

- * Dimming via Casambi app or associated products



DMX via Lumenradio
(3-phase tracks, 220-240V AC)

- * Dimming via Lumenradio CRMX
- * Fixture has built-in 0-100% dimmer



DALI
(Global Trac Pulse, 220-240V AC)

- * Dimming via DALI 1-100%



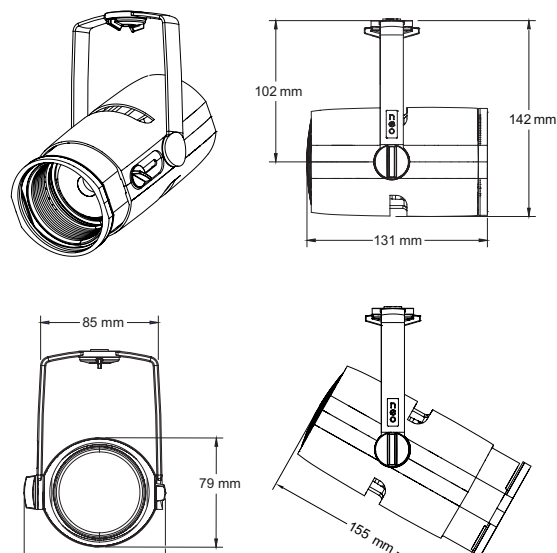
TECHNICAL SPECIFICATION

Material	Lamp housing made of die-cast aluminium, Adapter housing made of PC 10 GF, Lens made of PMMA
Finish	Grey (RAL 7040) Black (RAL 9005) White (RAL 9016)
System	3-phase circuit track
Protection class	IP20
Operating voltage	230V~ 50/60Hz
Power consumption	24–26W
Rated life	L70 > 55 000h according to TM-21 projection (Ta 25°)
LED failure rate	0,1% 50 000h
Beam angle	Interchangeable
Color temperatures	2700K, 3000K, 4000K
Swivels	>365°
Tilts	>90°
Features	Filter holder, Phase selector, Toolless pan, Tilt lock

LIGHT DATA

LED Lumen	1910 lm
Luminaire Lumen	1792 lm
CRI	95 (Typical 98 CRI)
Red component R9	>80
MacAdam	2-step ellipse (SDCM 2)

* Data from 3000K, Real spot lens



SPOTLIGHTS
NEO ACCENT



NEO ACCENT ANALOG

Built-in local dimmer (0-100%)
Slim profile adapter

2700K	NEOACC27C-AL-*	Neo Accent 230V/24W 2700K	1800lm, CRI 98, SDCM2, lens M, 3-phase, dimmer
3000K	NEOACC27C-AL-*	Neo Accent 230V/24W 3000K	1910lm, CRI 98, SDCM2, lens M, 3-phase, dimmer
4000K	NEOACC27C-AL-*	Neo Accent 230V/24W 4000K	1990lm, CRI 98, SDCM2, lens M, 3-phase, dimmer
2700K	NEOACC27C-AH-*	Neo Accent 230V/26W 2700K	1800lm, CRI 98, SDCM2, lens M, 3-phase, dimmer
3000K	NEOACC27C-AH-*	Neo Accent 230V/26W 3000K	1910lm, CRI 98, SDCM2, lens M, 3-phase, dimmer
4000K	NEOACC27C-AH-*	Neo Accent 230V/26W 4000K	1990lm, CRI 98, SDCM2, lens M, 3-phase, dimmer

* 1: Grey 2: Black 3: White



NEO ACCENT CASAMBI

Fixture is configured using the Casambi app
Fits most known 3-phase tracks

CASAMBI

2700K	NEOACC27C-AHC-*	Neo Accent 230V/24W Casambi 2700K	1800lm, CRI 98, SDCM2, lens M, 3-phase
3000K	NEOACC27C-AHC-*	Neo Accent 230V/24W Casambi 3000K	1910lm, CRI 98, SDCM2, lens M, 3-phase
4000K	NEOACC27C-AHC-*	Neo Accent 230V/24W Casambi 4000K	1990lm, CRI 98, SDCM2, lens M, 3-phase

* 1: Grey 2: Black 3: White



NEO ACCENT DMX

Wireless DMX via Lumenradio CRMX
Configuration via built-in display
Fits most known 3-phase tracks
Local dimmer (0-100%)

lumenradio
Creating Connectivity for a Better Tomorrow

2700K	NEOACC27C-AHX-*	Neo Accent 230V/26W DMX 2700K	1800lm, CRI 98, SDCM2, lens M, 3-phase, wireless DMX
3000K	NEOACC27C-AHX-*	Neo Accent 230V/26W DMX 3000K	1910lm, CRI 98, SDCM2, lens M, 3-phase, wireless DMX
4000K	NEOACC27C-AHX-*	Neo Accent 230V/26W DMX 4000K	1990lm, CRI 98, SDCM2, lens M, 3-phase, wireless DMX

* 1: Grey 2: Black 3: White



NEO ACCENT DALI

DALI (Dimming 1-100%).
Equipped with a DALI driver for Global Trac PULSE track

DALI

2700K	NEOACC27C-AHD-*	Neo Accent 230V/24W DALI 2700K	1800lm, CRI 98, SDCM2, lens M, 3-phase, PULSE DALI
3000K	NEOACC27C-AHD-*	Neo Accent 230V/24W DALI 3000K	1910lm, CRI 98, SDCM2, lens M, 3-phase, PULSE DALI
4000K	NEOACC27C-AHD-*	Neo Accent 230V/24W DALI 4000K	1990lm, CRI 98, SDCM2, lens M, 3-phase, PULSE DALI

* 1: Grey 2: Black 3: White



NEO ACCENT CC SOLO

No driver / adapter included

Operated by external LED driver, max 600 mA / 22W, Vf = 36V

2700K	NEOACC27C-CCS-*	Neo Accent CC/600mA Solo 2700K	1800lm, Vf=36V, 600mA, CRI 98, SDCM 2, lens M, 1m cable
3000K	NEOACC27C-CCS-*	Neo Accent CC/600mA Solo 3000K	1910lm, Vf=36V, 600mA, CRI 98, SDCM 2, lens M, 1m cable
4000K	NEOACC27C-CCS-*	Neo Accent CC/600mA Solo 4000K	1990lm, Vf=36V, 600mA, CRI 98, SDCM 2, lens M, 1m cable

* 1: Grey 2: Black 3: White



NEO ACCENT LENSES

Lenses for Neo Accent

ILONA-RS	Ilona Lins Real Spot	14°
ILONA-SS	Ilona Lins Smooth Spot	17°
ILONA-M	Ilona Lins Medium	24°
ILONA-W	Ilona Lins Wide	34°
ILONA-WW	Ilona Lins Very Wide	43°